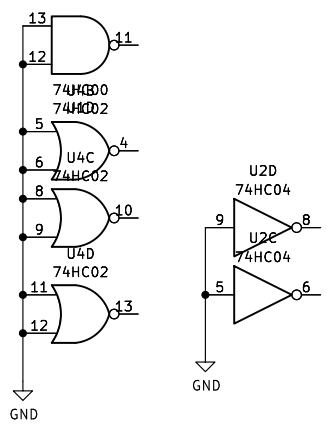
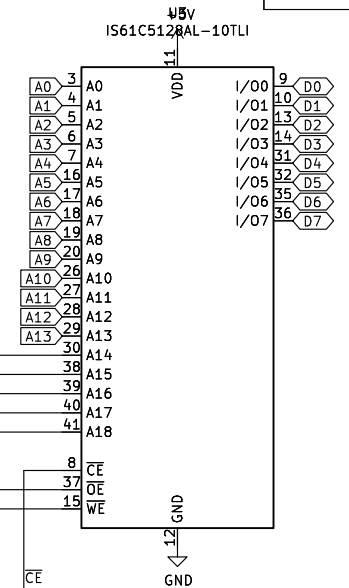
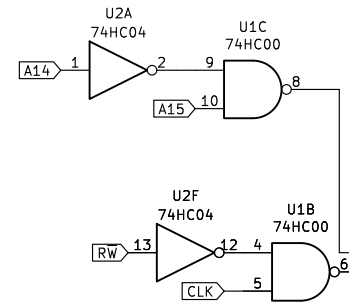
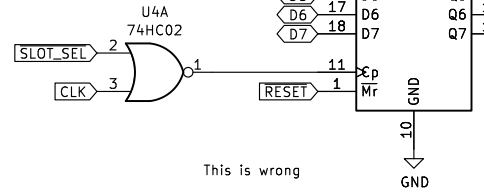


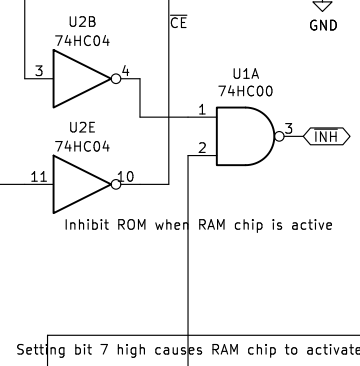
RAM in use in window from \$8000 to \$BFFF



Buffer latches data when SLOT_SEL is active (low) and clock goes low



This is wrong



Six Pixels	
Sheet: /	
File: ram_board.kicad_sch	
Title: RAM Board	
Size: A4	Date: 2023-02-27
KiCad E.D.A. kicad-cli 7.0.8-7.0.8-ubuntu23.04.1	Rev: v1.5.0
	Id: 1/1